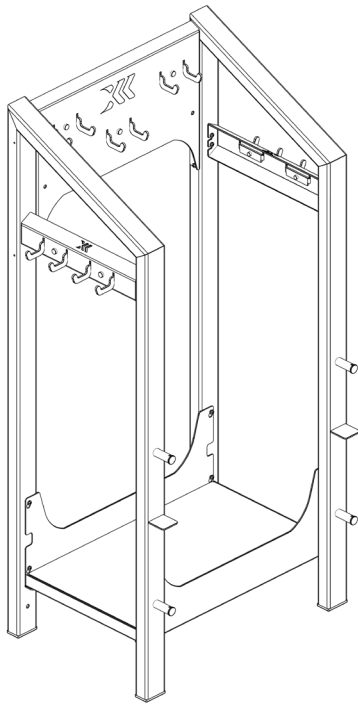


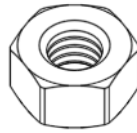
# Accessory Rack Assembly



## Back-to-Back Rack Components



Accessory Racks (x2)



M6 Nuts\* (x4)

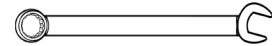


M6 Caps\* (x4)

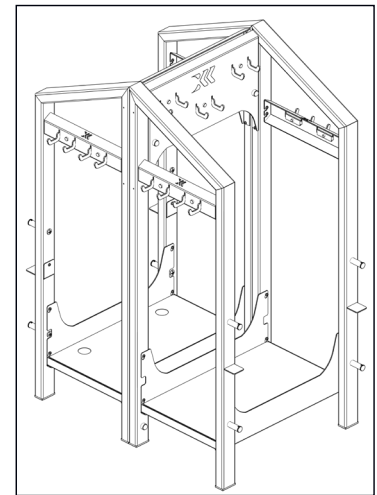


M6X70 Bolts\* (x4)

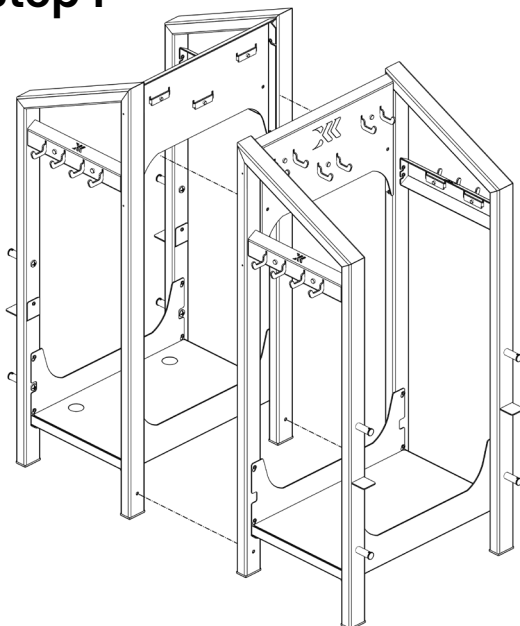
Note: This assembly requires a 10 mm Wrench.



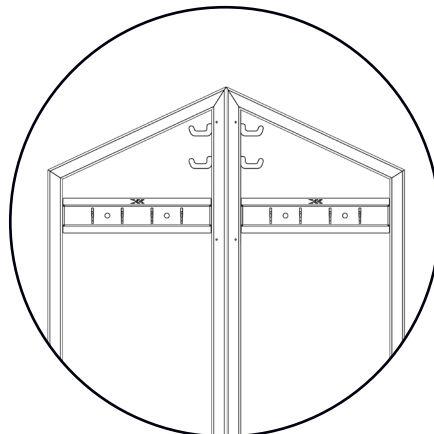
*\*) Half of these components will be provided with each Accessory Rack.*



## Back-to-Back Rack Step 1



Push the two assembled Accessory Racks together.



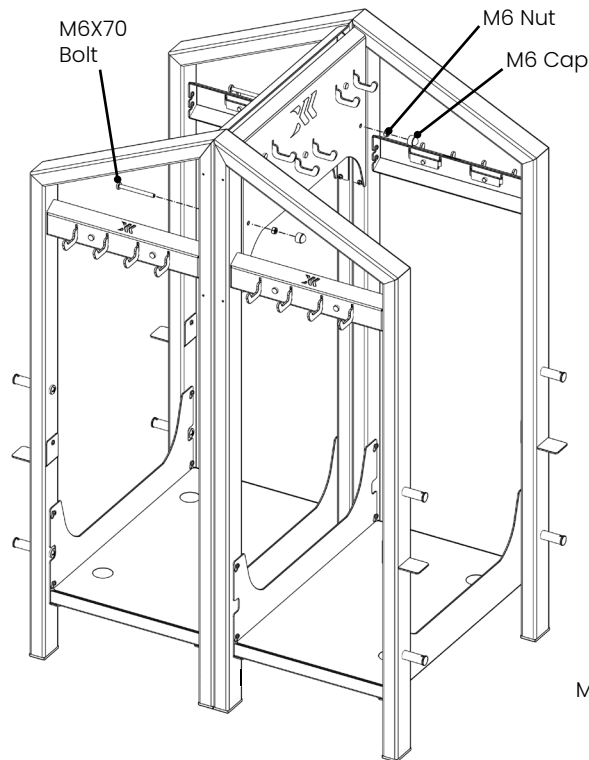
Side view

# Accessory Rack Assembly



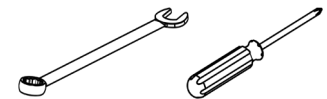
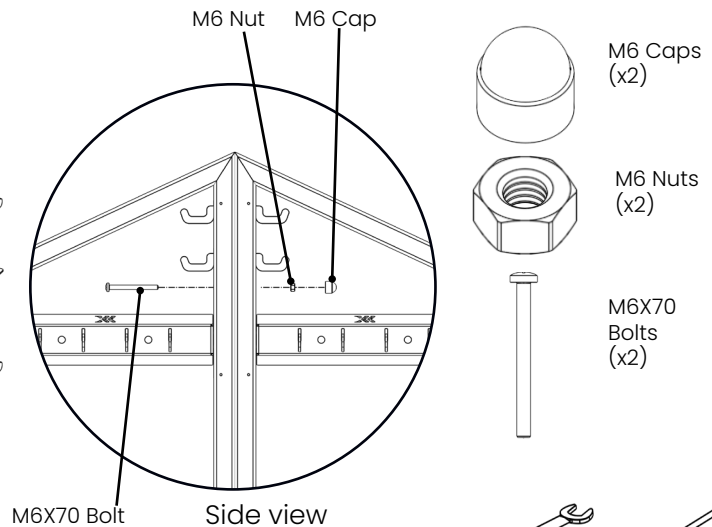
## Back-to-Back Rack

### Step 2



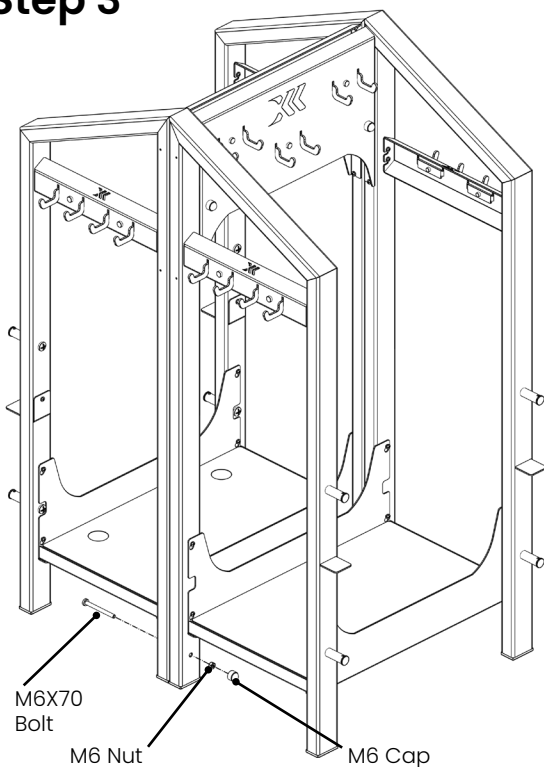
Insert two M6X70 bolts through the holes in the Upper Supports. Then, use the 10 mm wrench to tighten the M6 nuts in place.

Once tightened, place an M6 cap on each nut to complete the assembly.



## Back-to-Back Rack

### Step 3



Insert two M6X70 bolts through the holes located at the bottom rear of the Frames. Then, use the 10 mm wrench to tighten the M6 nuts in place.

Once tightened, place an M6 cap on each nut to complete the assembly.

