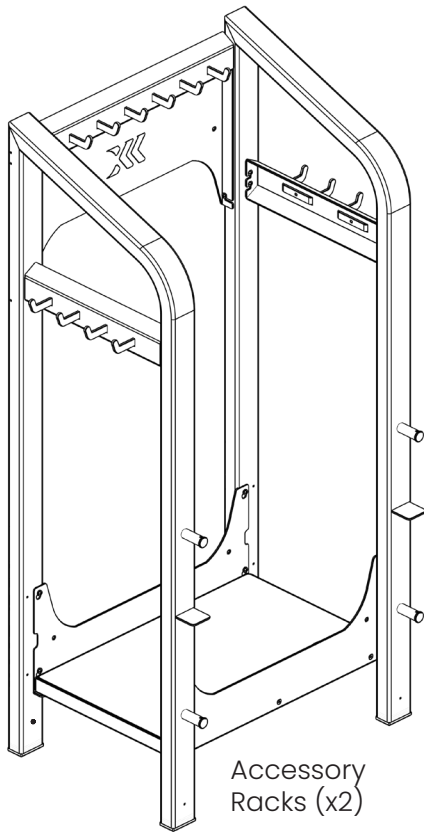


Accessory Rack Assembly



Back-to-Back Rack Components



M6 x 8 Bolts*
(2 pcs)



M6 Nuts*
(4 pcs)

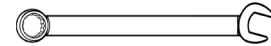


M6 Caps*
(4 pcs)

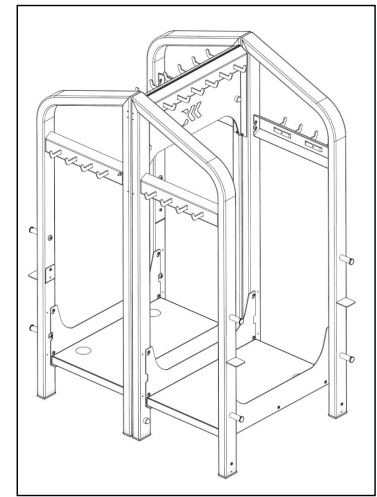


M6 x 70 Bolts*
(2 pcs)

Note: This assembly requires a 10 mm Wrench.

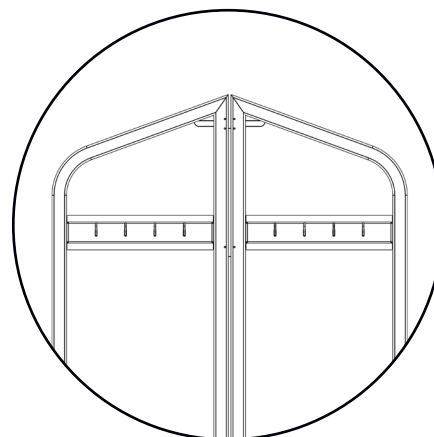
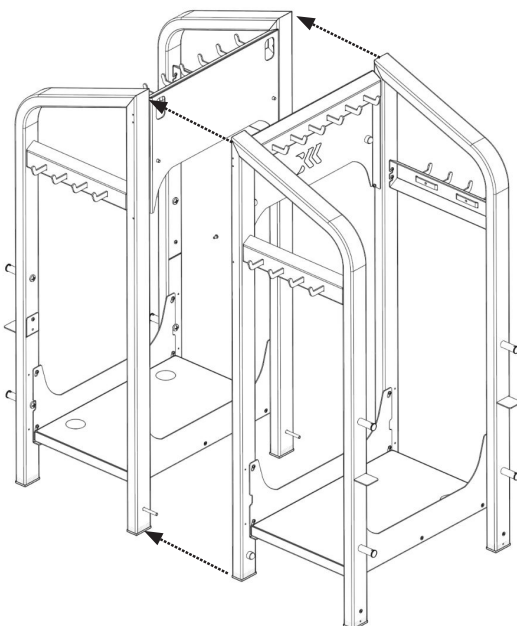


*) Half of these components will be provided with each Accessory Rack.



Back-to-Back Rack Step 1

Push the 2 assembled Accessory Racks together.

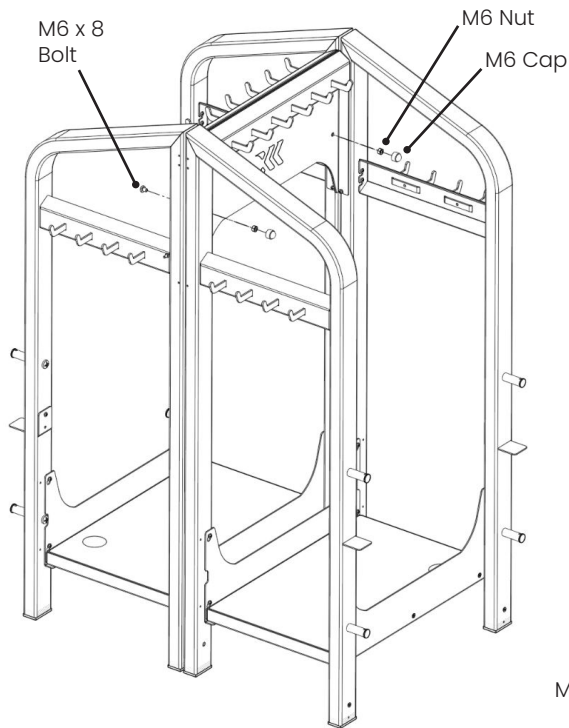


Side view

Accessory Rack Assembly

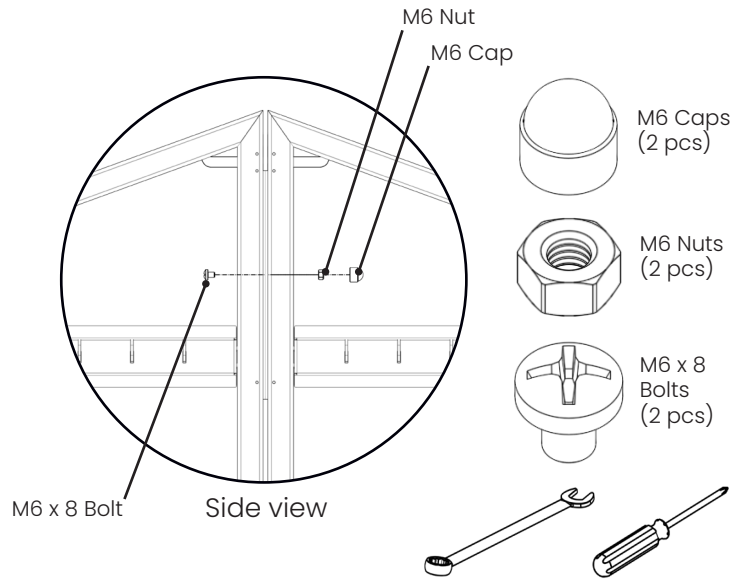


Back-to-Back Rack Step 2

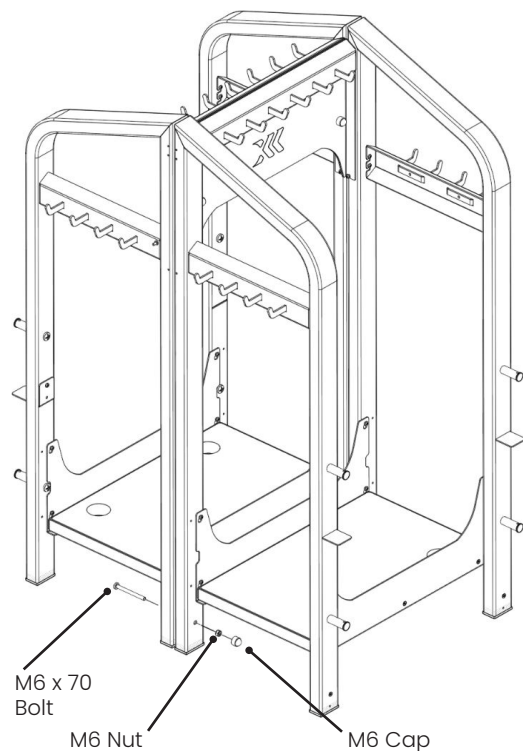


Insert 2 M6 x 8 Bolts through the holes in the Upper Supports.

Use the 10 mm wrench to tighten the M6 Nuts in place, then place an M6 Cap on each Nut.



Back-to-Back Rack Step 3



Insert 2 M6 x 70 Bolts through the holes in the bottom rear of the Frames.

Use the 10 mm wrench to tighten the M6 Nuts in place, then place an M6 Cap on each Nut.

